

AW SERIES AIR & WATER HOSE REELS

APPLICATION

Perfect for general workshop applications such as compressed air or cold water washdown.

Also available is a model fitted with EPDM rubber hose, ideal for air applications in fabrication areas where welding spatter adversely affects standard hoses.

For accessories, guns and nozzles, see page 152.

HOSE TYPE	High quality TPR rubber hose. Complies with AS/NZS2554/B.
MEDIA	Air or cold water
MINIMUM TEMP	-5°C
MAXIMUM TEMP	65°C
MAX PSI	240*
FITTING TYPE	BSP**
WEIGHT	12kg***

*Maximum hose pressure rating is based at an operating temperature of 30°C.

**NPT, JIC, JIS and Metric threads are available on request.

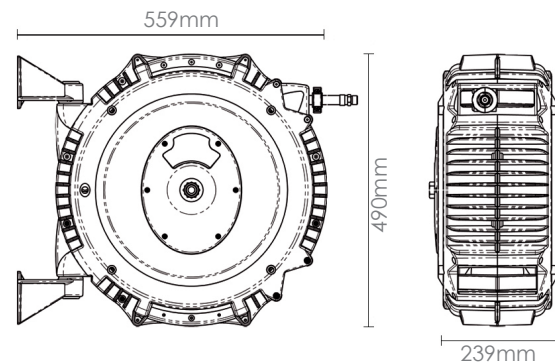
***AW815 weighs 11kg.



FEATURES



DIMENSIONS



AW SERIES

Model	Hose ID	Hose Length	Inlet Fitting	Outlet Fitting
AW815	8mm	15m	3/8" BSPF	3/8" BSPM
AW820	8mm	20m	3/8" BSPF	3/8" BSPM
AW1015	10mm	15m	3/8" BSPF	3/8" BSPM
AW1020	10mm	20m	3/8" BSPF	3/8" BSPM
AW1025	10mm	25m	3/8" BSPF	3/8" BSPM
AW1215	12mm	15m	1/2" BSPF	1/2" BSPM
AW1218	12mm	18m	1/2" BSPF	1/2" BSPM
AWHD1210 (Heavy duty EPDM hose)	12mm	10m	1/2" BSPF	1/2" BSPM



= Quick Ship Item, see inside back cover for more information.